

FOLDABLE SOLAR CHARGER

Nowhere lose your power!



Introduction

Foldable Solar Charger is designed with more power in a small portable package. The charger has 6 individual modules conveniently housed in a rugged and waterproof canvas covering. It can be spread open to sunlight whenever it is required to charge the equipment and can be folded after use for easy handling and carrying.



PV-S010W-B-TC-01



PV-M010W-M-TC-01

Optional Function

1. Trickle Charger

It provides a much faster trickle charge and actually adds more power than the battery normally loses to keep your battery fully "topped off".

The trickle charging process revitalizes your battery by preventing deep discharge cycles that occur in internal leakage. This prolongs the life cycle of your battery.



2. Cell Phone Charger

The cell phone charger with multipurpose connector charge the cell phone with electricity from canvas module.



Specification

Item No.	Part No.	DESCRIPTION
1	PV-M010W-M-TC-01	Foldable canvas module(6folders 9W/17V modules)
2	PV-FJ-C-JT-001	Input for Ni-MH/Ni-Cd battery charger (male light adaptor)
3	PV-FJ-C-JT-002	Trickle charger (connector from canvas module to car cigarette socket)
4	PV-FJ-C-JT-003	Trickle charger (connector from canvas module to battery with clips)
5	PV-FJ-C-JT-004	Car charger for Cell phone with all kinds adaptor for different type

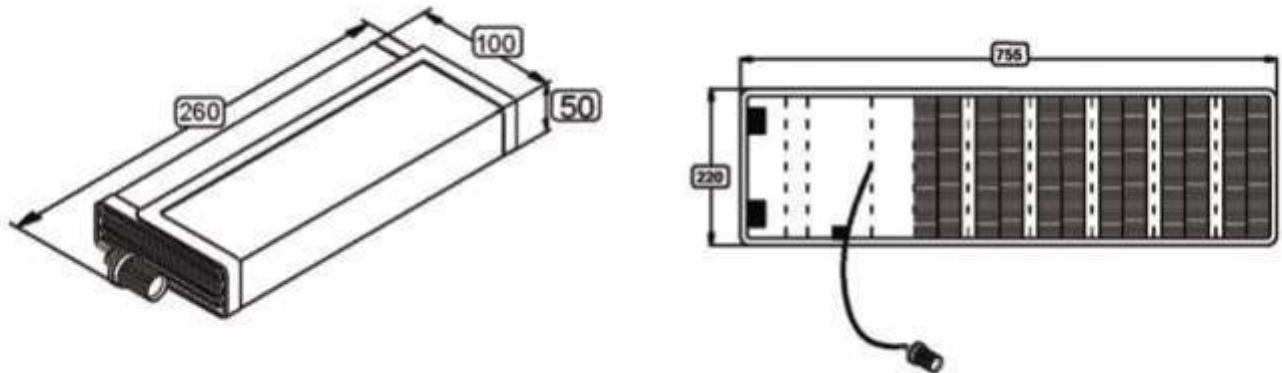
1. Canvas Module

a. Electrical data(solar module)

Testing condition : AM 1.5 cell temperature 25 °C

Folds quantity	Pmax	Vpm	Ipm	Voc	Isc	Remark
6	10W	16.4 V	0.6A	19.2V	0.67 A	Standard
4	6.5 W	16.4 V	0.4A	19.2V	0.47 A	Customized
8	13 W	16.4 V	0.8 A	19.2V	0.94 A	Customized
10	16 W	16.4 V	1.0A	19.2V	1.10A	Customized
12	20 W	16.4 V	1.2A	19.2V	1.4A	Customized

B. Physical Data



Size: 755mm x 220mm x 3 mm (open)
220mm x 1000mm x 50mm (Folded)

Temperature Range: -20 C to 80 C

Materials: Canvas pack & PCB flexible module

Female cigarette socket

Different canvas color available

2. Cigarette adaptor for trickle charger and clips for battery.



3. Cell Phone Charger

- a. High Efficiency: More than 80%
- b. Various Adaptor Plugs: 5 different separate plug
- c. Short Circuit Protection (SCP): Self-protection against short circuit
- d. Current-limiting Protection: Self-protection against over current
- e. Patented Selector with Safety Lock, LED Indicator
- f. Convenient, Durable



Operating Instruction

1. **P**ut out the foldable canvas solar charger and unfolded it
2. **E**xposed in the sunlight.
3. **I**n order to get the most effective sunlight, please adjust the angle of solar panel.
4. **T**o trickle charge your car battery, please connect the canvas module to car cigarette. socket via the trickle charging accessory (male connector) (PV-FJ-C-BT-001) or use the clip for battery.
5. **T**o charge your NIMH/Ni-Cd battery, please connect the battery charger to the canvas module.
6. **T**o charge your cell phone please connect the car charger to the cell phone with different type connector.

Maintenance

1. **K**eeP the solar panel surface clean .The dirty and shadow will reduce the efficiency of absorbing sunlight.
2. **D**on't scratch the surface of solar panels with sharp tools
3. **K**eeP away from fire in stock.
4. **D**on't stress undue strength on the unfolded flexible solar module

Warranty 2 Year

Warranty does not cover defects, which are caused by inappropriate handling of the appliance. It is also null and void by persons not authorized by us. This warranty is valid only in conjunction with the original proof of purchase.